



|      |       |    |
|------|-------|----|
|      | ..... | 1  |
|      | ..... | 1  |
|      | ..... |    |
| 1-1  | ..... |    |
| 1-1  | ..... |    |
| 1-   | ..... |    |
| 1-   | ..... |    |
| 1-   | ..... |    |
| 1-   | ..... | 11 |
| 1-   | ..... | 1  |
| 1-   | ..... | 1  |
| 1-   | ..... | 1  |
| 1-   | ..... | 1  |
| 1-10 | ..... | 1  |
| 1-11 | ..... |    |
| 1-1  | ..... |    |
| 1-1  | ..... |    |
| 1-1  | ..... |    |
| 1-1  | ..... |    |
| 1-1  | ..... | 0  |
| 1-1  | ..... |    |
| 1-1  | ..... |    |
|      | ..... |    |
|      | ..... |    |
| -1   | ..... |    |
| -1   | ..... |    |
| -    | ..... | 0  |
| -    | ..... | 1  |
| -    | ..... |    |
| -    | ..... |    |
| -    | ..... |    |
| -    | ..... |    |
| -    | ..... | 1  |
| -10  | ..... |    |
| -11  | ..... |    |
| -1   | ..... |    |
| -1   | ..... |    |
| -1   | ..... | 1  |
| -1   | ..... |    |
| -1   | ..... |    |
| -1   | ..... |    |
| -1   | ..... |    |
|      | ..... | 0  |



[ 2014] 55

- 1.
- 2.
- 3.
- 4.

--

--

|  |  | 1-1 | 1 | 1-1 | 1-1 |
|--|--|-----|---|-----|-----|
|  |  | -1  | 1 | -1  | -1  |
|  |  | -1  | 1 | -1  | -1  |

1

I/O

C

/

Kei I C

2

1

/ /

Kei I C

MCU

/ /

2

6S (

)

/

3

120

4

|    |  |    |   |   |
|----|--|----|---|---|
|    |  |    |   |   |
|    |  |    |   |   |
| 20 |  | 10 | 0 |   |
|    |  |    |   | 1 |
|    |  |    |   | 2 |
|    |  | 10 |   | 3 |
|    |  |    |   | 4 |
|    |  |    | 5 |   |

10

5

30

1



2

PCB

E

3

1



2

PCB  
E

3

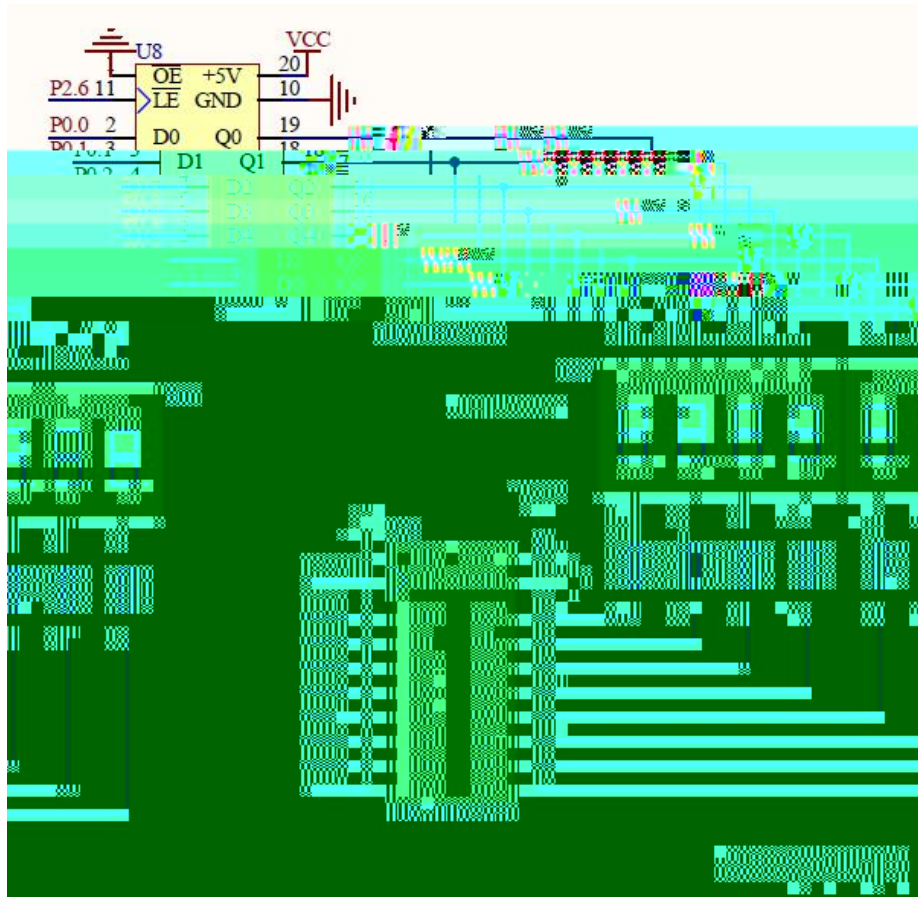








1



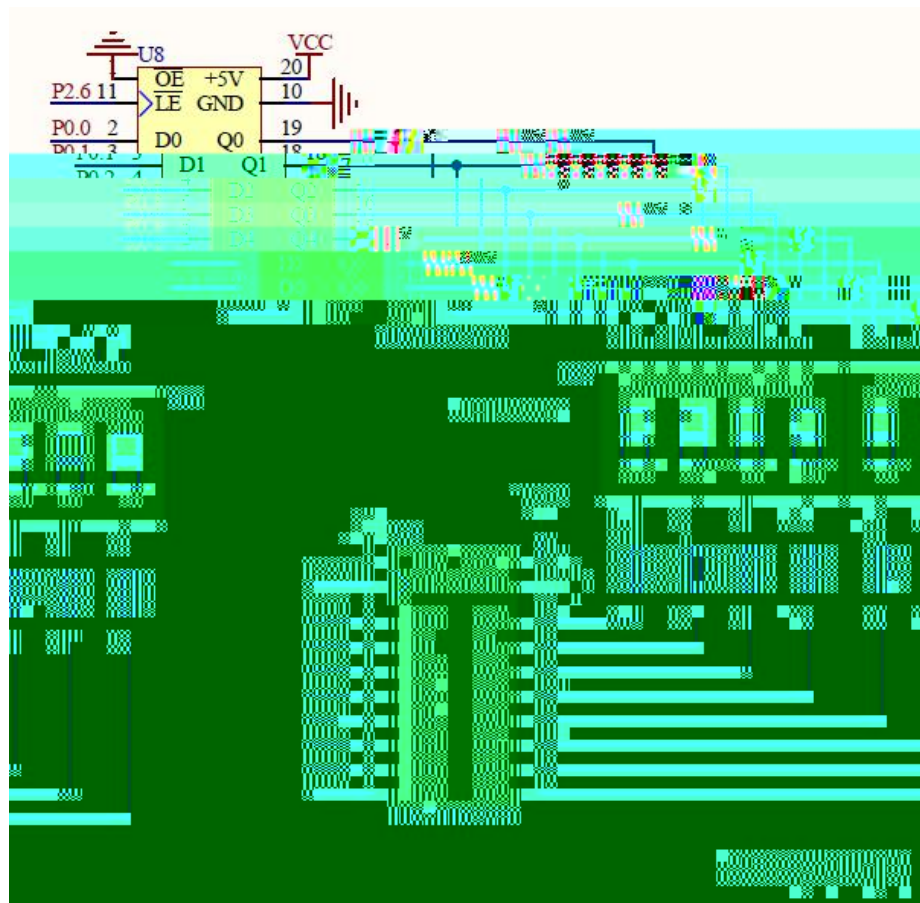
2

PCB  
E

3



1



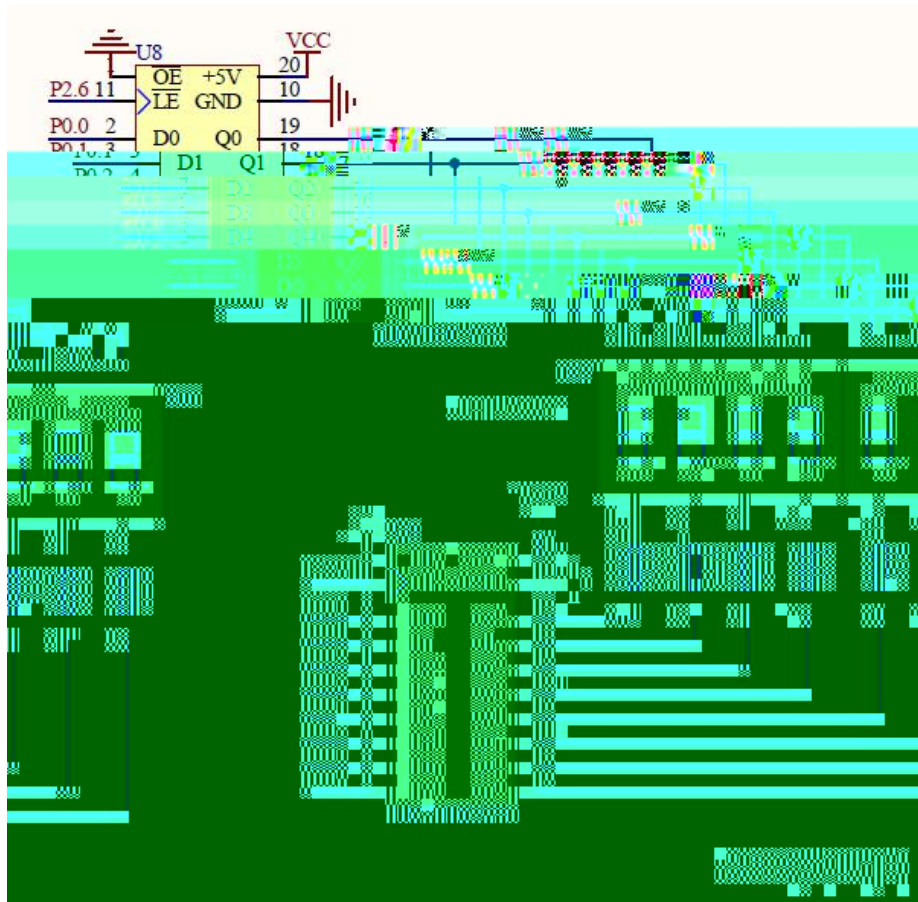
2

PCB  
E

3



1



2

PCB  
E

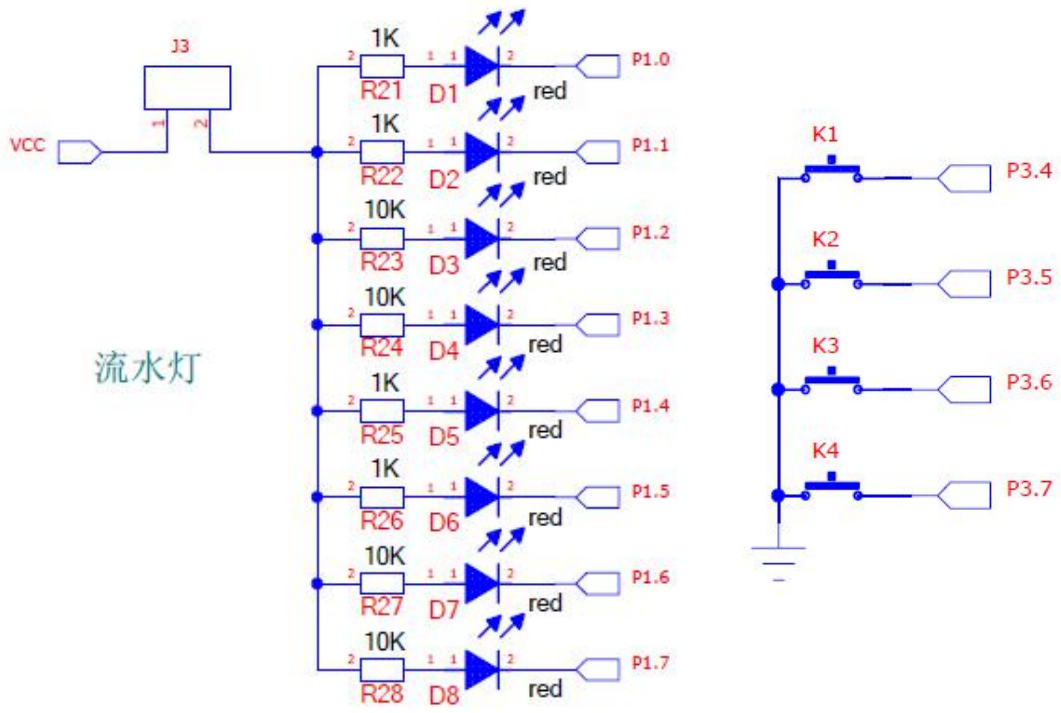
3





1

K1     D1 D2 D3 D4     K2     D5 D6 D7 D8     K3     8  
          K4     8



流水灯

2

PCB  
E

3



1

K1 8



2

PCB  
E

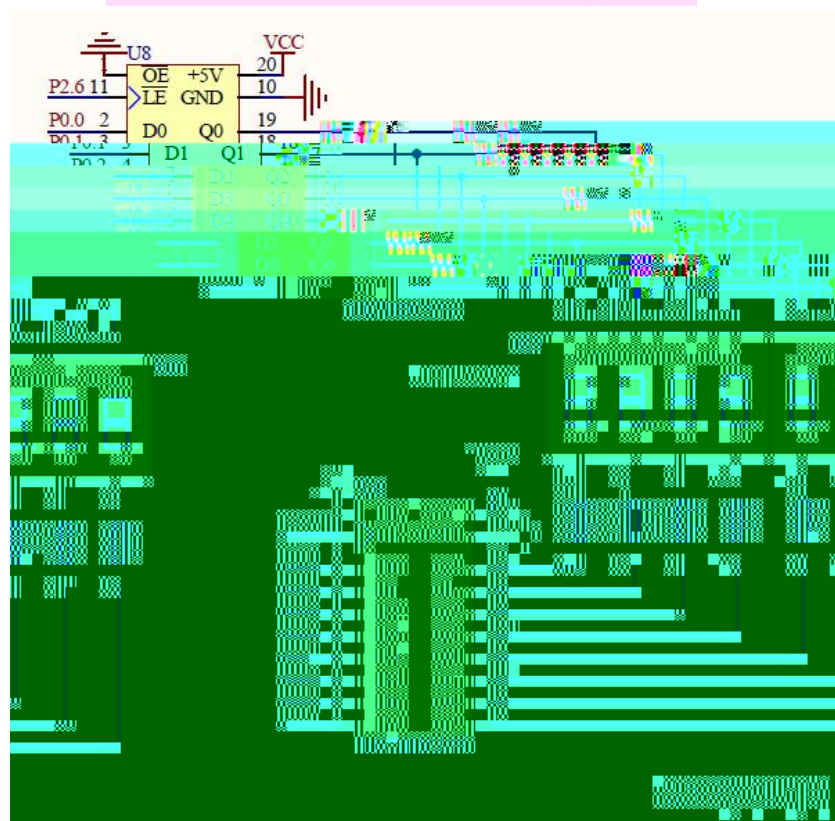
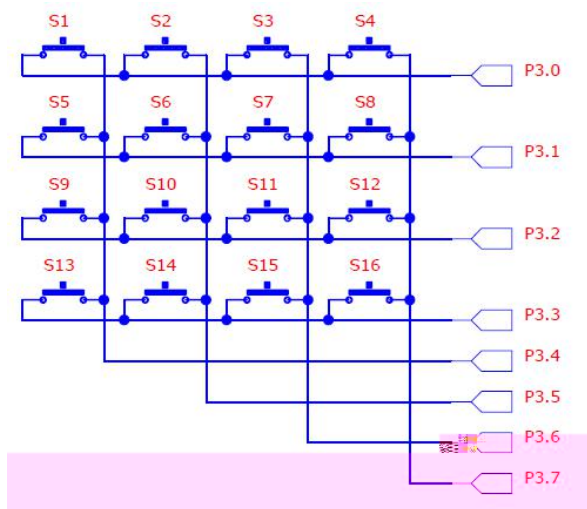
3



1

S1-S16

O-F



2

PCB

E

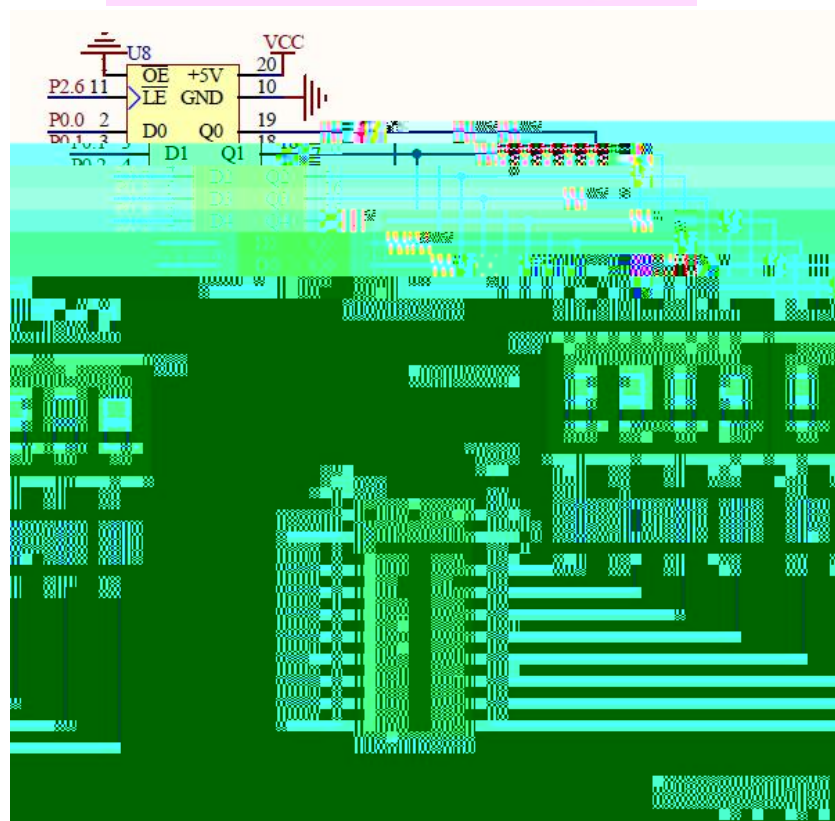
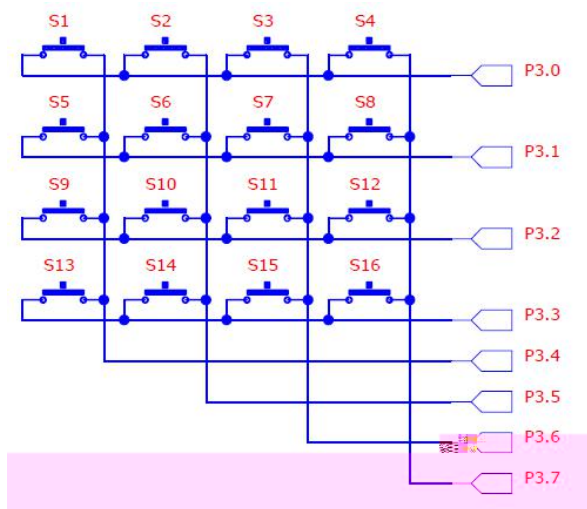
3

1

P3.2

1

9 0





2

PCB

E

3

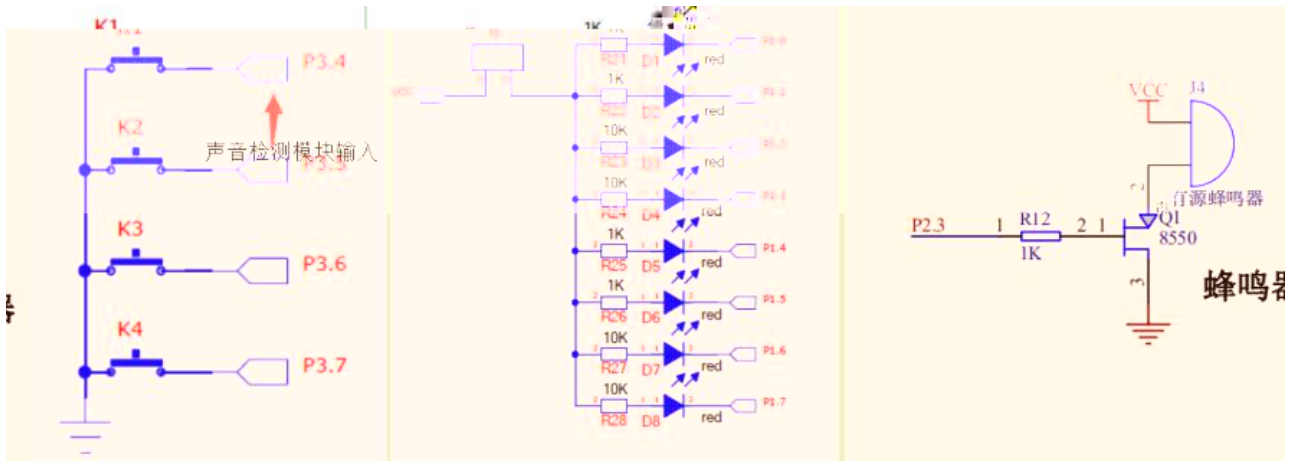
1

P3.4

1

P3.4

D1



1

2

PCB  
E

3

1

P3.7

1

P3.7



1

2

PCB  
E

3



1

1

K1

D1

K2

D2



1

2

PCB

E

3

1

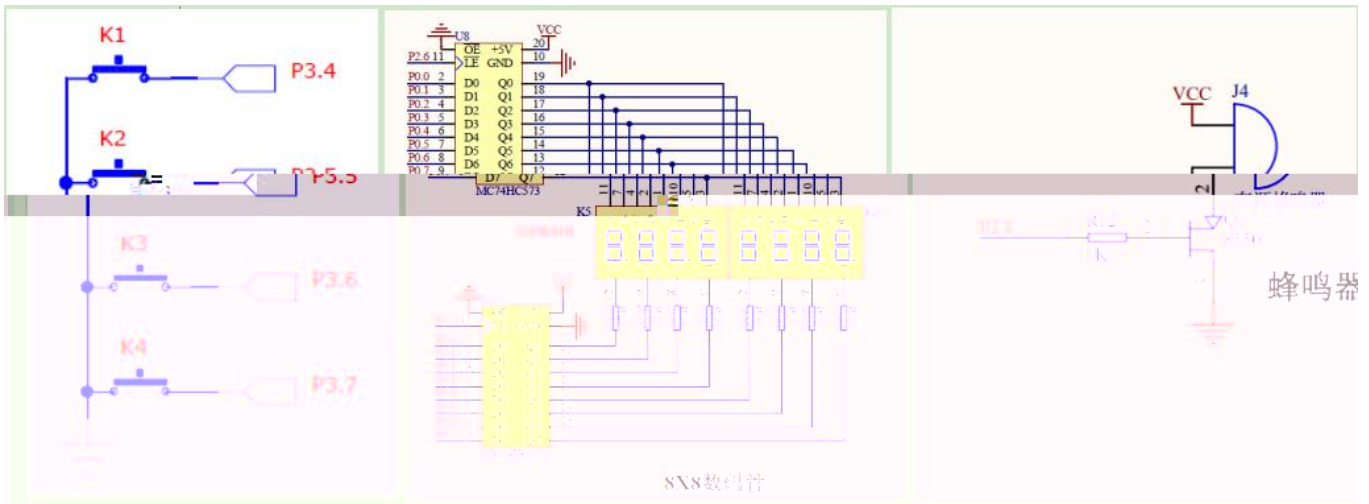
1

K1

K2 K3 K4

K1

" 1 "



2

PCB

E

3



1

2



2

PCB

E

3



1

1

P3.6

P3.6



1

2

PCB

E

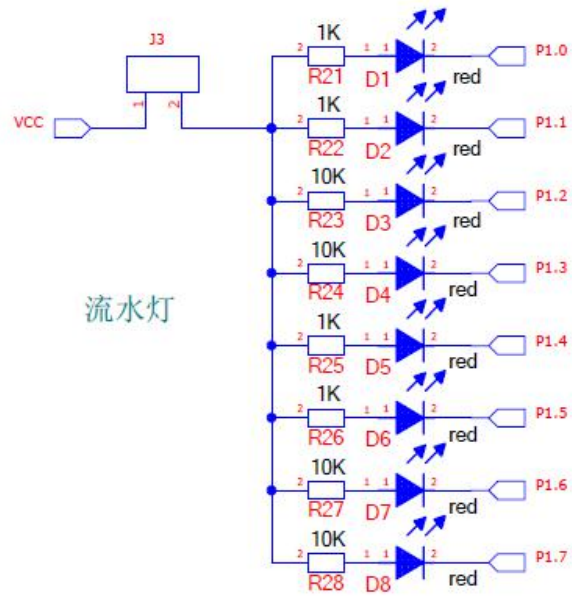
3

0



1

0.5S 0.5S



2

PCB

E

3



1

K1

D1-D4

K2

D5-D8



2

PCB

E

3



1

/ /

1

/ /

/ /

( )

/

1 0

|    |  |    |   |  |   |
|----|--|----|---|--|---|
|    |  |    |   |  |   |
|    |  |    |   |  |   |
| 20 |  | 10 |   |  | 0 |
|    |  | 10 | 1 |  |   |
|    |  | 10 | 2 |  |   |
|    |  |    | 3 |  |   |

|    |  |    |             |     |
|----|--|----|-------------|-----|
|    |  |    | 4           |     |
|    |  |    | 5           |     |
| 30 |  | 10 |             |     |
|    |  | 5  |             |     |
|    |  | 5  |             |     |
|    |  | 10 |             |     |
| 50 |  | 5  |             |     |
|    |  | 5  | 1<br>2      | PCB |
|    |  | 10 |             |     |
|    |  | 15 | 1<br>2<br>3 |     |
|    |  | 15 |             |     |

5

18



1



2

3



1



2

3

1



2

3

1



2

3



1



2



3





1

|    |  |                                 |    |
|----|--|---------------------------------|----|
| 1  | VBAT   | VDD                             | 64 |
| 2  | PC13/ANT1                                    | VSS                             | 63 |
| 3  | PC14/OSC32                                   | PB9/TIM4_CH4/SDIO_D5            | 62 |
| 4  | PC15/OSC32                                   | PB8/TIM4_CH3/SDIO_D4            | 61 |
| 5  | PD0/OSCIN                                    | PA7/I2C1_SCL/TIM4_CH2           | 60 |
| 6  | PD1/OSCOUT                                   | PA6/I2C1_SDA/TIM4_CH1           | 59 |
| 7  | NRS+   | PB5/I2C1_SMBA/SPI3_MOSI/I2S3_SD | 58 |
| 8  | PC0/ADC10                                    | PB4/JNTRST/SPI3_MISO            | 57 |
| 9  | PC1/ADC11                                    | PB3/JTDO/SPI3_SCK/I2S3_CK       | 56 |
| 10 | PC2/ADC12                                    | PC2/U5_RX/TIM3_ETR/SDIO_CMD     | 55 |
| 11 | PC3/ADC13                                    | PC12/U5_TX/SDIO_CK              | 54 |
| 12 | VSSA   | PC11/U4_RX/SDIO_D3              | 53 |
| 13 | VDDA   | PC10/U4_TX/SDIO_D2              | 52 |
| 14 | PA0/WKUP/ADC0/TIM2_CH1_ETR/TIM5_CH1/TIM8_ETR | PA15/JTDI/SPI3_NSS/I2S3_WS      | 51 |
| 15 | PA1/ADC1/TIM2_CH2/TIM5_CH2                   | PA14/JTCK/SWCLK                 | 50 |
| 16 | PA2/U2_TX/ADC2/TIM2_CH3/TIM5_CH3             | VDD                             | 49 |
| 17 | PA3/U2_RX/ADC3/TIM2_CH4/TIM5_CH4             |                                 | 48 |
| 18 |  |                                 | 47 |
| 19 |  |                                 | 46 |
| 20 |  |                                 | 45 |
| 21 |  |                                 | 44 |
| 22 |  |                                 | 43 |
| 23 |  |                                 | 42 |
| 24 |  |                                 | 41 |
| 25 |  |                                 | 40 |
| 26 |  |                                 | 39 |
| 27 |  |                                 | 38 |
| 28 |  |                                 | 37 |
| 29 |  |                                 | 36 |
| 30 |  |                                 | 35 |
| 31 |  |                                 | 34 |
| 32 |  |                                 | 33 |
| 33 |  |                                 | 32 |
| 34 |  |                                 | 31 |
| 35 |  |                                 | 30 |
| 36 |  |                                 | 29 |
| 37 |  |                                 | 28 |
| 38 |  |                                 | 27 |
| 39 |  |                                 | 26 |
| 40 |  |                                 | 25 |
| 41 |  |                                 | 24 |
| 42 |  |                                 | 23 |
| 43 |  |                                 | 22 |
| 44 |  |                                 | 21 |
| 45 |  |                                 | 20 |
| 46 |  |                                 | 19 |
| 47 |  |                                 | 18 |
| 48 |  |                                 | 17 |
| 49 |  |                                 | 16 |
| 50 |  |                                 | 15 |
| 51 |  |                                 | 14 |
| 52 |  |                                 | 13 |
| 53 |  |                                 | 12 |
| 54 |  |                                 | 11 |
| 55 |  |                                 | 10 |
| 56 |  |                                 | 9  |
| 57 |  |                                 | 8  |
| 58 |  |                                 | 7  |
| 59 |  |                                 | 6  |
| 60 |  |                                 | 5  |
| 61 |  |                                 | 4  |
| 62 |  |                                 | 3  |
| 63 |  |                                 | 2  |
| 64 |  |                                 | 1  |

2

3



1



2

3

1

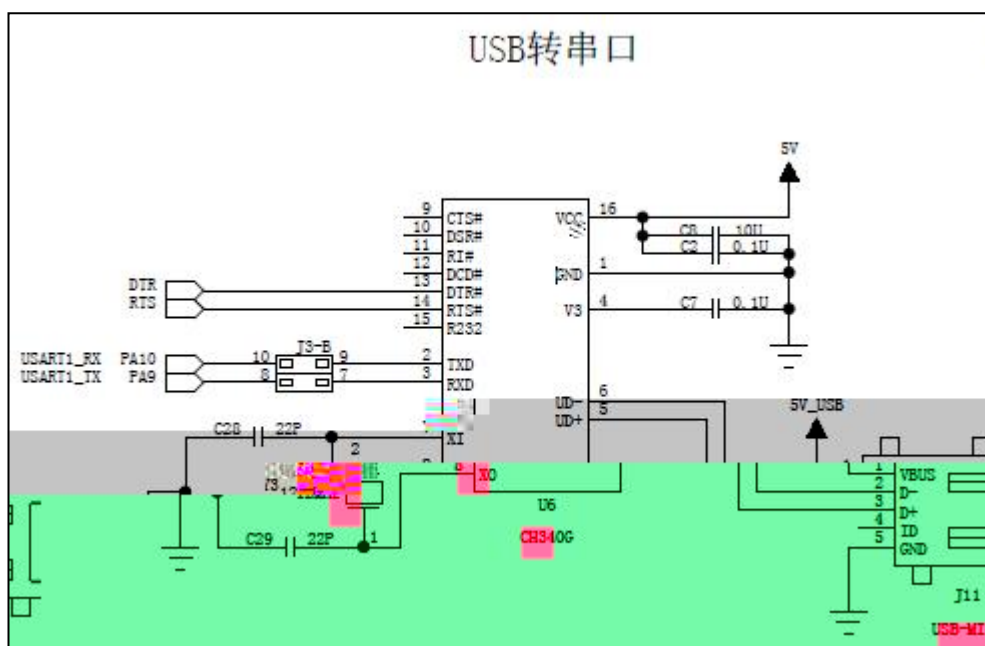
|    |  |                                 |    |
|----|--|---------------------------------|----|
| 1  | VBAT   | VDD                             | 64 |
| 2  | PC13/ANT1                                    | VSS                             | 63 |
| 3  | PC14/OSC32                                   | PB9/TIM4_CH4/SDIO_D5            | 62 |
| 4  | PC15/OSC32                                   | PB8/TIM4_CH3/SDIO_D4            | 61 |
| 5  | PD0/OSCIN                                    | DD1/OSCOUT                      | 60 |
| 6  | DD1/OSCOUT                                   | DD7/I2C1_SDA/L1A/TIM4_CH2       | 59 |
| 7  | NRS*   | PB6/I2C1_SCL/TIM4_CH1           | 58 |
| 8  | PC0/ADC10                                    | PB5/I2C1_SMBA/SPI3_MOSI/I2S3_SD | 57 |
| 9  | PC1/ADC11                                    | PB4/JNTRST/SPI3_MISO            | 56 |
| 10 | PC2/ADC12                                    | PB3/JTDO/SPI3_SCK/I2S3_CK       | 55 |
| 11 | PC3/ADC13                                    | PC2/U5_RX/TIM3_ETR/SDIO_CMD     | 54 |
| 12 | VSSA   | PC12/U5_TX/SDIO_CK              | 53 |
| 13 | VDDA   | PC11/U4_RX/SDIO_D3              | 52 |
| 14 | PA0/WKUP/ADC0-TIM2_CH1_ETR/TIM5_CH1/TIM8_ETR | PC10/U4_TX/SDIO_D2              | 51 |
| 15 | PA1/ADC11-TIM2_CH2-TIM5_CH2                  | PA15/JTDI/SPI3_NSS/I2S3_WS      | 50 |
| 16 | PA2/U2_TX/ADC2-TIM2_CH3-TIM5_CH3             | PA14/JTCK/SWCLK                 | 49 |
| 17 | PA3/U2_RX/ADC3-TIM2_CH4-TIM5_CH4             | VDD                             | 48 |
| 18 | PA4  | VDD                             | 47 |
| 19 | PA5  | VDD                             | 46 |
| 20 | PA6  | VDD                             | 45 |
| 21 | PA7  | VDD                             | 44 |
| 22 | PA8  | VDD                             | 43 |
| 23 | PA9  | VDD                             | 42 |
| 24 | PA10   | VDD                             | 41 |
| 25 | PA11   | VDD                             | 40 |
| 26 | PA12   | VDD                             | 39 |
| 27 | PA13   | VDD                             | 38 |
| 28 | PA14   | VDD                             | 37 |
| 29 | PA15   | VDD                             | 36 |
| 30 | PC4  | VDD                             | 35 |
| 31 | PC5  | VDD                             | 34 |
| 32 | PC6  | VDD                             | 33 |
| 33 | PC7  | VDD                             | 32 |
| 34 | PC8  | VDD                             | 31 |
| 35 | PC9  | VDD                             | 30 |
| 36 | PC10   | VDD                             | 29 |
| 37 | PC11   | VDD                             | 28 |
| 38 | PC12   | VDD                             | 27 |
| 39 | PC13   | VDD                             | 26 |
| 40 | PC14   | VDD                             | 25 |
| 41 | PC15   | VDD                             | 24 |
| 42 | PD1  | VDD                             | 23 |
| 43 | PD2  | VDD                             | 22 |
| 44 | PD3  | VDD                             | 21 |
| 45 | PD4  | VDD                             | 20 |
| 46 | PD5  | VDD                             | 19 |
| 47 | PD6  | VDD                             | 18 |
| 48 | PD7  | VDD                             | 17 |
| 49 | PD8  | VDD                             | 16 |
| 50 | PD9  | VDD                             | 15 |
| 51 | PD10   | VDD                             | 14 |
| 52 | PD11   | VDD                             | 13 |
| 53 | PD12   | VDD                             | 12 |
| 54 | PD13   | VDD                             | 11 |
| 55 | PD14   | VDD                             | 10 |
| 56 | PD15   | VDD                             | 9  |
| 57 | PE1  | VDD                             | 8  |
| 58 | PE2  | VDD                             | 7  |
| 59 | PE3  | VDD                             | 6  |
| 60 | PE4  | VDD                             | 5  |
| 61 | PE5  | VDD                             | 4  |
| 62 | PE6  | VDD                             | 3  |
| 63 | PE7  | VDD                             | 2  |
| 64 | PE8  | VDD                             | 1  |

2

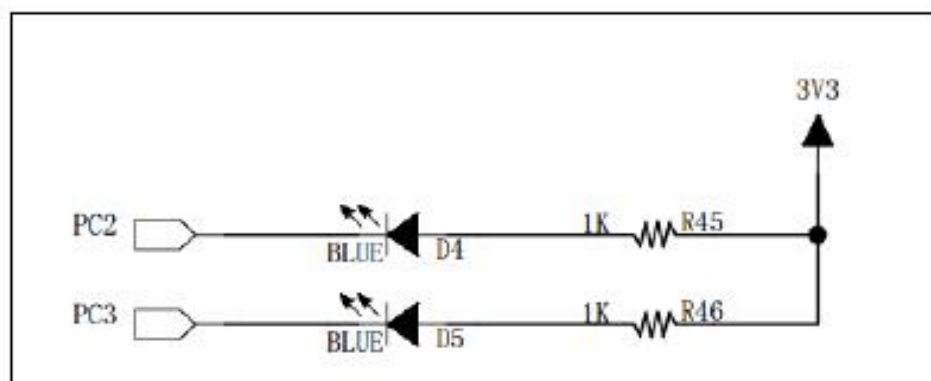
3



1



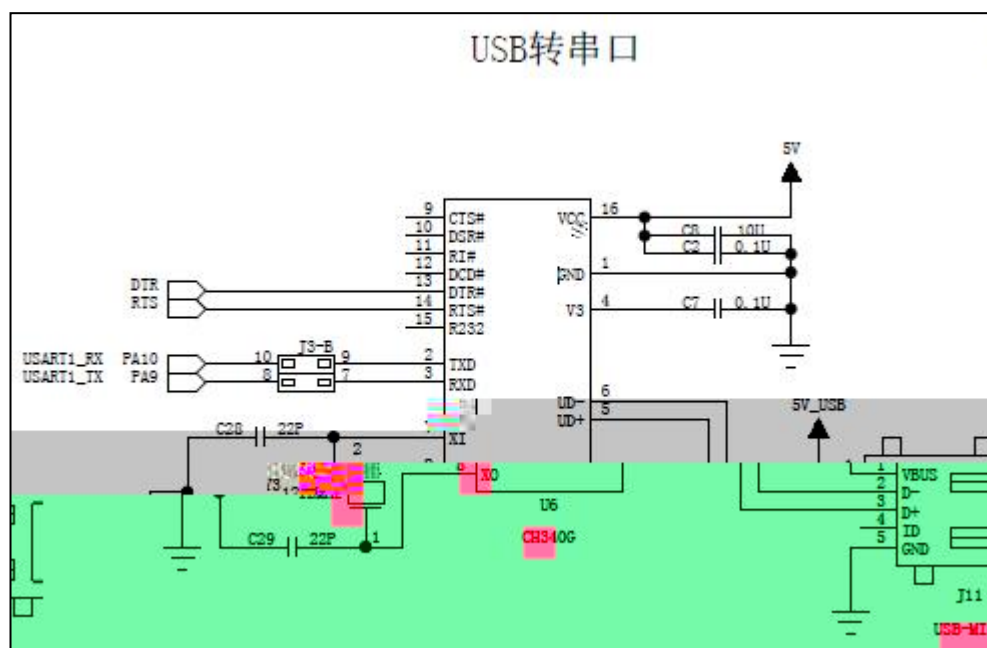
2



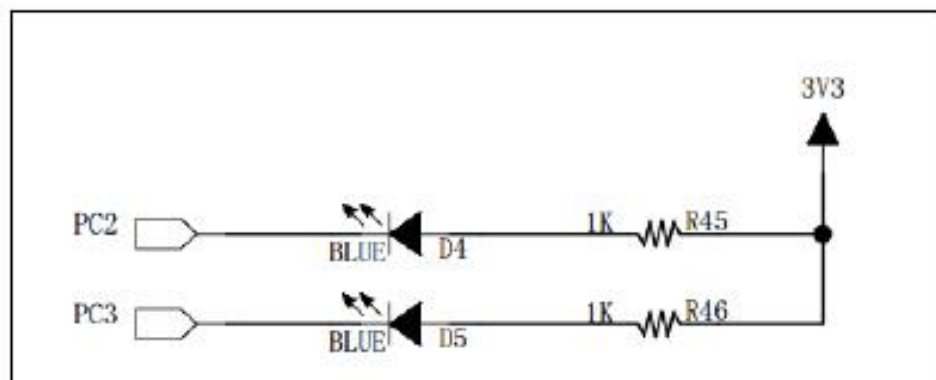
3

-

1



2





3

-

PROLOG



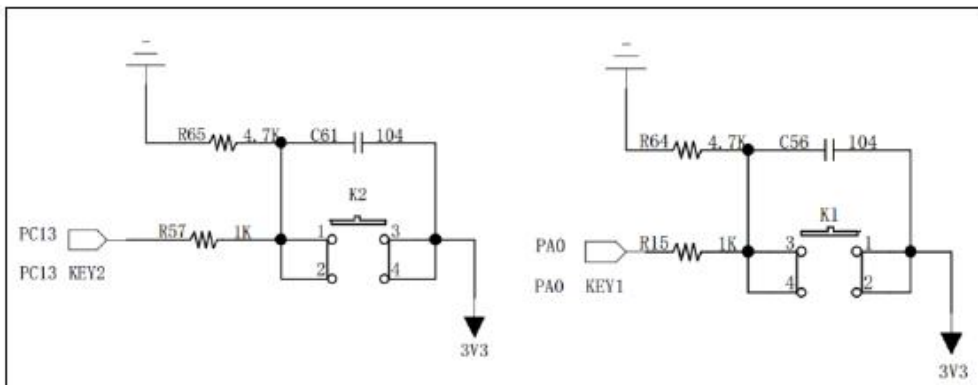
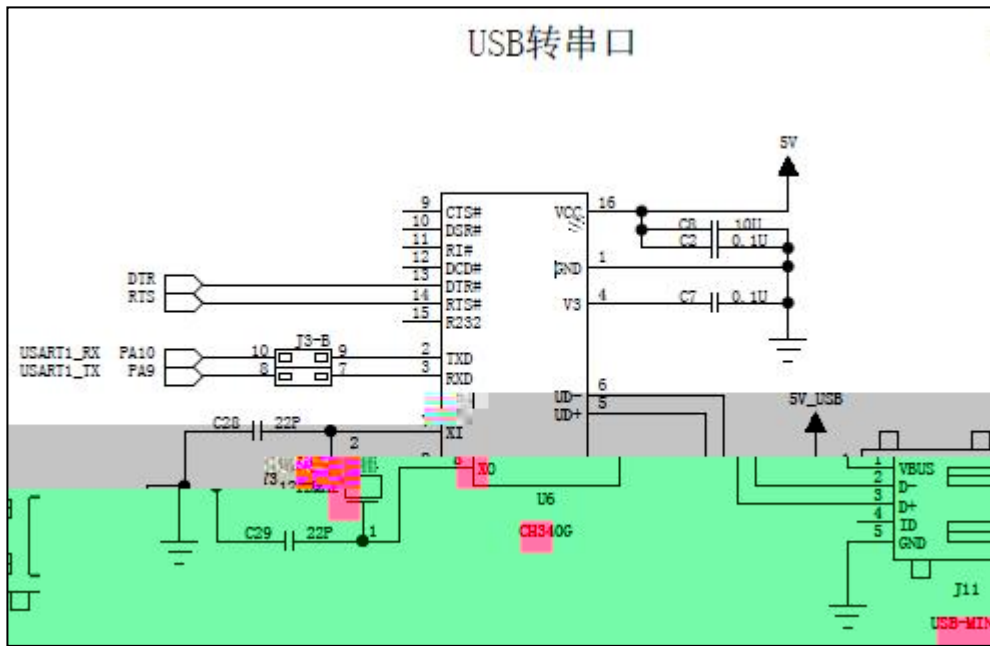


2

3

-

1

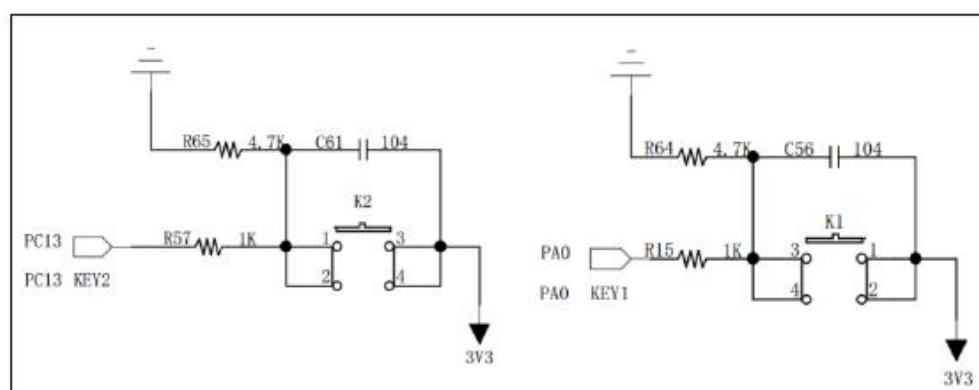
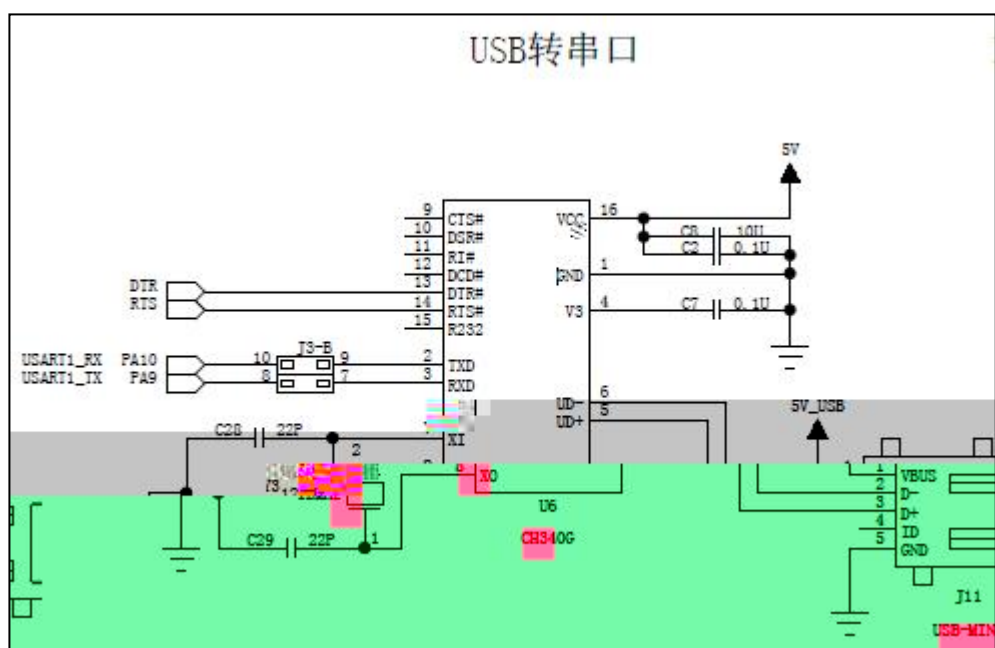


2

3

-

1



2



3

-



2

3

-

1



2

3

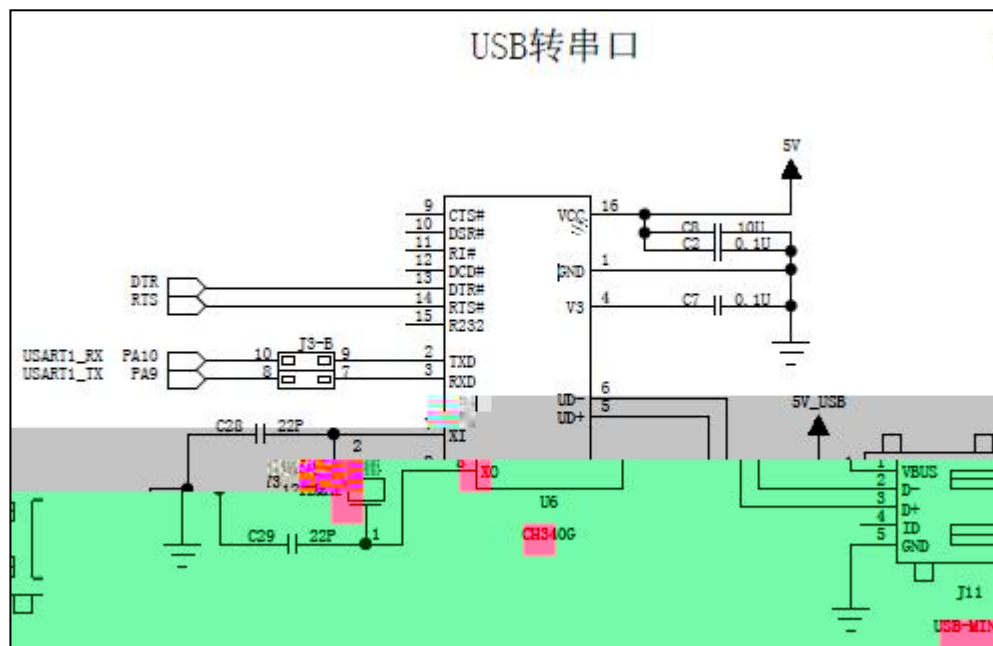


2

3

-

1



2

3

-



1

1

/ /

.0

/ /

( )

/

1 0

|    |  |    |   |  |   |  |
|----|--|----|---|--|---|--|
|    |  |    |   |  |   |  |
|    |  |    |   |  |   |  |
| 20 |  | 10 |   |  | 0 |  |
|    |  |    | 6 |  |   |  |
|    |  |    | 7 |  |   |  |
|    |  | 10 | 8 |  |   |  |
|    |  |    | 9 |  |   |  |

|    |  |    |    |  |
|----|--|----|----|--|
|    |  |    | 10 |  |
| 30 |  |    |    |  |
|    |  |    |    |  |
|    |  | 10 |    |  |
|    |  | 10 |    |  |
| 50 |  |    |    |  |
|    |  | 10 |    |  |
|    |  |    |    |  |
|    |  |    |    |  |

5

18

1  
2

20sp

RGB #FF0000



3 :

2  
1



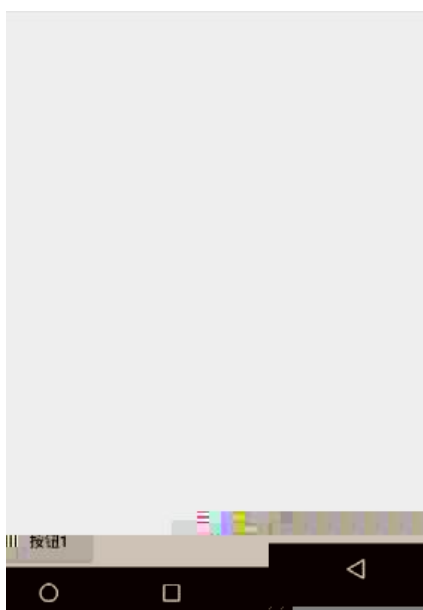
3 :

1

2

1

2



3

:

TextView

2

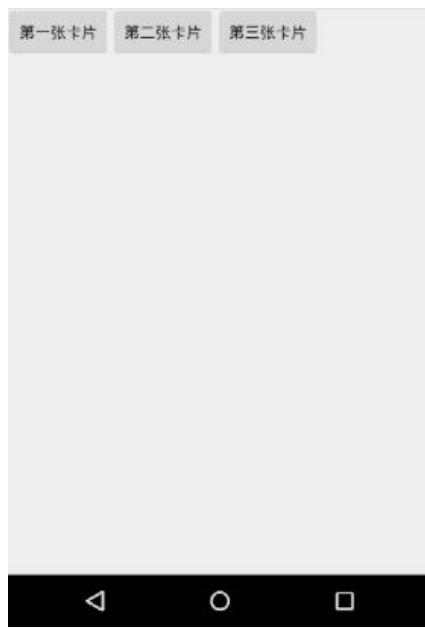
1



3

1

2



3

2

1

2



3



1

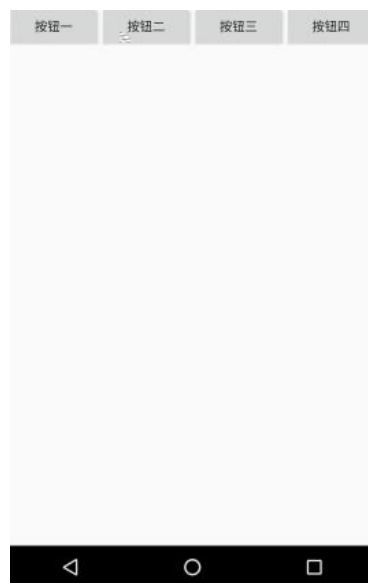
1 1 1 1

2

1

2

1 1 1 1



3

1

2

1



3

1

2

1

2



3

1

2

1

2



3

1

2

1



3

1

LED

2

1

2

3

TextView LED



3

1

LED

2

1

2

3

TextView LED



3

1

LED

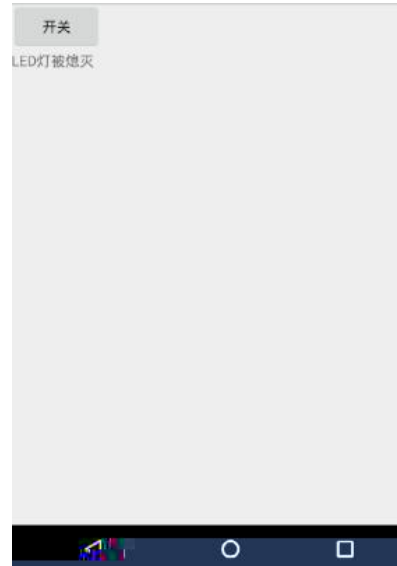
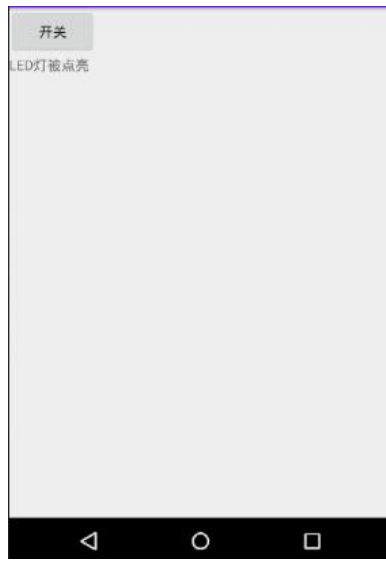
2

1

2

3

TextView LED



3



1

LED

2

1

2

3

4

TextVi ew



3

1

LED

2

1

2

3

4

ImageView

30dp\*30dp



3

1

2

1

2



3

1

2

1

2



3